

Bible Story 16

HAGAR AND ISHMAEL

GENESIS 16

16. HAGAR AND ISHMAEL

(GENESIS 16)

"And the angel of the LORD found her by a fountain of water in the wilderness, by the fountain in the way to Shur. And he said, Hagar, Sarai's maid, whence camest thou? And whither wilt thou go? And she said, I flee from the face of my mistress Sarai."

GENESIS 16:7-8

16. HAGAR AND ISHMAEL

(GENESIS 16)

MEMORY VERSE:

"Then she called the name of the LORD who spoke to her, You-Are-the-God-Who-Sees; for she said, 'Have I also here seen Him who sees me?' " GENESIS 16:13

CIRCLE THE CORRECT WORDS:

1. "Now Sarai, Abram's wife, had borne him no children. And she had an Egyptian maidservant whose name was (**HAG, HAGAR**). " GENESIS 16:1
2. "Sarai said to Abram, 'I have become (**DESPISED, LOVED**) in her eyes.' " GENESIS 16:5

FILL IN THE BLANK:

3. "So Abram said to Sarai, 'Indeed your maid is in your hand; do to her as you please.' And when Sarai dealt harshly with her, she _____ from her presence." GENESIS 16:6

UNDERLINE THE ALL THE CORRECT ANSWERS:

4. "Now the Angel of the LORD found her..." GENESIS 16:7

**BY A SPRING OF WATER IN THE WILDERNESS
UNDERNEATH A TREE
BY THE SPRING ON THE WAY TO SHUR**

TRUE OR FALSE:

5. "The Angel of the LORD said to her, 'Return to your mistress, and submit yourself under her hand.' " GENESIS 16:9
TRUE OR FALSE
6. "Then the Angel of the LORD said to her, 'I will multiply your descendants exceedingly, so that they shall not be counted for multitude.' " GENESIS 16:10
TRUE OR FALSE

7. **CIRCLE T or F** "And the Angel of the LORD said to her:..." GENESIS 16:11-12

- | | | |
|--|---|---|
| * Behold, you are with child | T | F |
| * And you shall bear a son | T | F |
| * You shall call his name Ishmael | T | F |
| * The LORD has not heard your affliction | T | F |
| * He shall be a mild man | T | F |
| * His hand shall be against every man and every man's hand against him | T | F |
| * He shall dwell in the presence of all his brethren | T | F |

16. HAGAR AND ISHMAEL

(GENESIS 16)

A T H E G O D W H O S E E S M
 I N V T W M E U Y M Y G S U A
 E A G I I L P S N J M Y J S I
 Y Q L E L M J Y M L T P L A D
 D D S M L N B J Q P G T P R S
 E A E U A O H U P O N I B A E
 S O T H B Q F G S L I A N I R
 C Y K A R R D T L T R N S I V
 E E N G A U N A H P P S L C A
 N A B A M M O K J E S F P C N
 D E Y R K E S R D N L M L M T
 A D E S I P S E D R F O H E G
 N Q Z E G S C B D A H C R R D
 T U I S H M A E L P D U L D B
 S T A D C Z U N R L R R Q X I

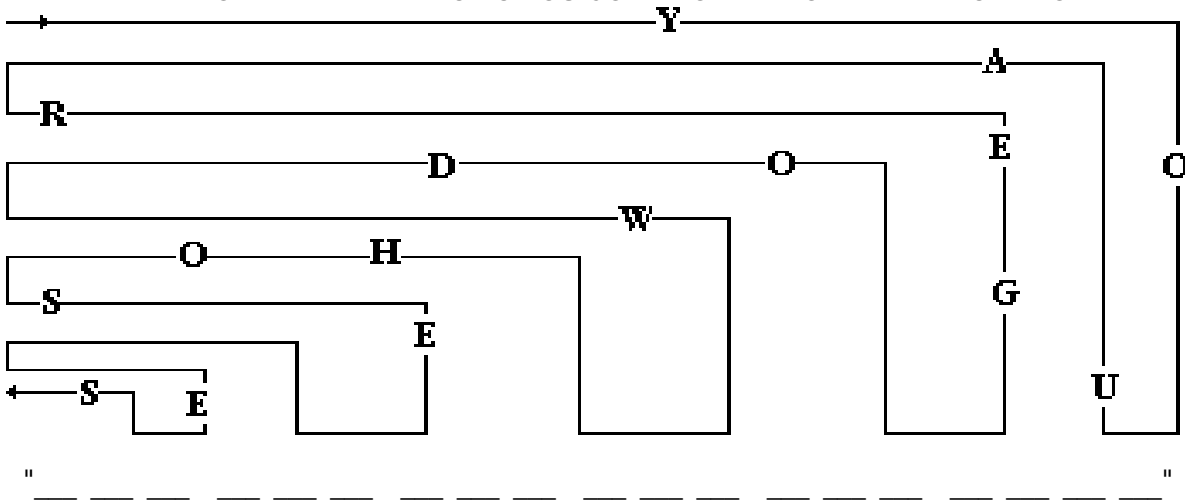
ABRAM
 ISHMAEL
 THE GOD WHO SEES
 EGYPTIAN

HAGAR
 SUBMIT
 DESPISED
 SON

SPRING
 DESCENDANTS
 SARAI
 WILD

ANGEL OF THE LORD
 MAIDSERVANT
 WELL
 FLED

WRITE DOWN THE LETTERS AS YOU COME TO THEM ON THE LINES BELOW



16. HAGAR AND ISHMAEL

(GENESIS 16)

MEMORY VERSE:

"Then she called the name of the LORD who spoke to her, You-Are-the-God-Who-Sees; for she said, 'Have I also here seen Him who sees me?' " GENESIS 16:13

FILL IN THE BLANKS:

1. "Now Sarai, Abram's wife, had borne him no children. And she had an Egyptian maidservant whose name was _____." **GENESIS 16:1**
2. "Sarai said to Abram, 'My _____ be upon you! I gave my maid into your embrace; and when she saw that she conceived, I became _____ in her eyes.'" **GENESIS 16:5**
3. "So Abram said to Sarai, 'Indeed your maid is in your hand; do to her as you please.' And when Sarai dealt harshly with her, she _____ from her presence." **GENESIS 16:6**

UNDERLINE THE ALL THE CORRECT ANSWERS:

4. "Now the Angel of the LORD found her..." **GENESIS 16:7**

**BY A SPRING OF WATER IN THE WILDERNESS
UNDERNEATH A TREE
BY THE SPRING ON THE WAY TO SHUR**

TRUE OR FALSE:

5. "The Angel of the LORD said to her, 'Return to your mistress, and submit yourself under her hand.'" **GENESIS 16:9**
TRUE OR FALSE
6. "Then the Angel of the LORD said to her, 'I will multiply your descendants exceedingly, so that they shall not be counted for multitude.'" **GENESIS 16:10**
TRUE OR FALSE

FILL IN THE BLANKS:

7. "And the Angel of the LORD said to her:..." **GENESIS 16:11-12**
 - * Behold, you are with _____
 - * And you shall bear a _____
 - * You shall call his name _____
 - * The LORD has heard your _____
 - * He shall be a _____ man
 - * His hand shall be _____ every man and every man's hand _____ him
 - * He shall _____ in the presence of all his brethren

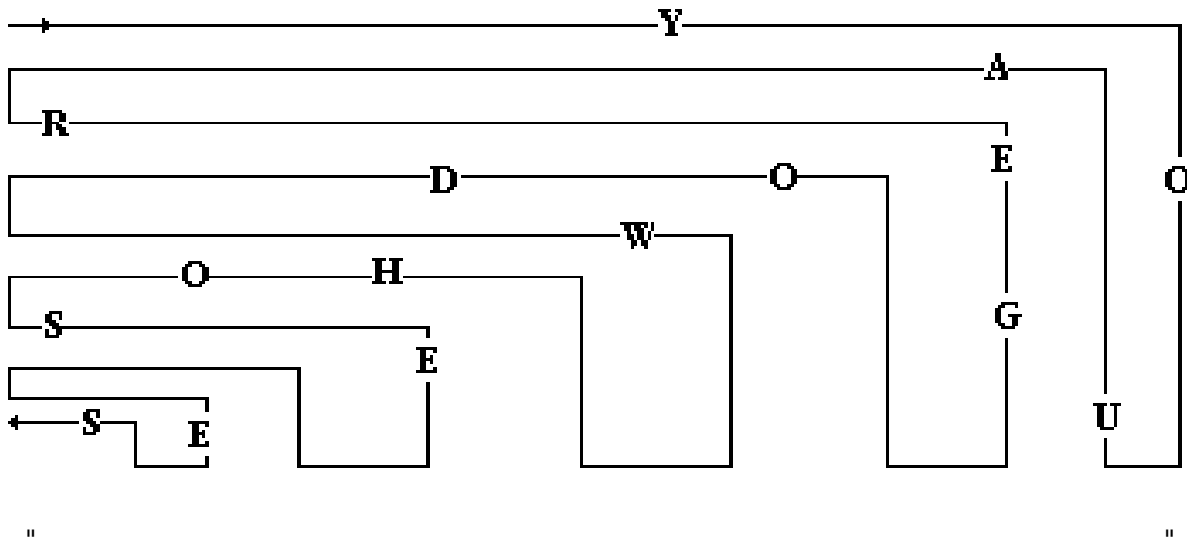
16. HAGAR AND ISHMAEL

(GENESIS 16)

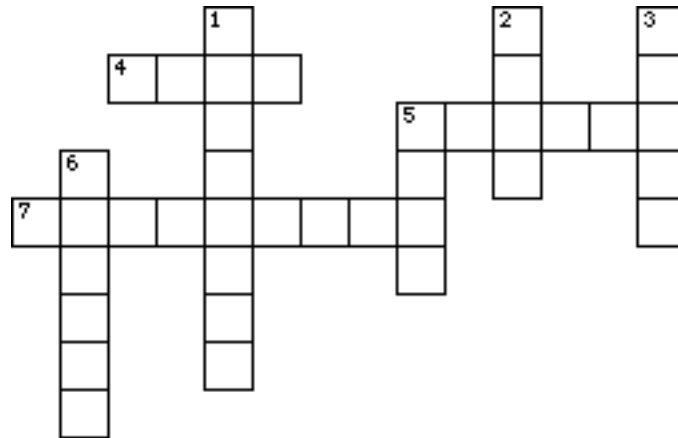
D N F F J N O E W P L K C H E I T X I P K Z E R P
 E G H H B R F A U N S P V Q P J V V B S X A A P G
 S X P A B P V W F U V Z T O T S R Q U C H U Y J C
 C G J W R I X L I O R Y W E C U F D L D P M N P J
 E R T X B Q S Z X F C Y H W S E E V P T P E A Q N
 N Q B P K D V X G L M T I M B U S S M X U F I E H
 D I I E E J M P Y L L O P E C A J M C D Z P T X L
 A P A T N A V R E S D I A M H V O C C E V T P Q E
 N H M S F Q A J P M B J J B U D U Z V S F O Y F D
 T Z X G J R Z H Y S X F H K E Q G L Z P R N G G B
 S I T D T D S G B Z A A Q S C E F U K I K I E A Y
 R V Y E E L O E D F C H O U N N K T F S K J U M K
 E V L P J I N U R P W A A H Q R D M K E Y J H M K
 U B I Z Z W S W C G J H W P L Y B O S D R Y A A J
 W Q S E E S O H W D O G E H T E R A U O Y T E O M
 J Y O C Z I H D G K U Z V E K Y K E M G G H C K V
 N E V C K L M W D E L F M V D D K M O N I G N C W
 S L Q Q M A R B A B K Y F A D J A X A I K F A Y Z
 Z N Z I C S X Y R U O N S R O R T I T R U Y I U W
 K V U W T T S P G K I J W L K A W A M P A Q Z D E
 A N G E L O F T H E L O R D Q G L R Z S V D S Y L
 B Q A Z I F V Z N C T T U W K A A A J X X C N G L
 Z T N K O A O W G U E P D J L H P S S G O M C T F
 F A M K T Y J B Z M J L S U W I P N M E U P Z I I
 H Q G Q A Y J M J D K J J O K P A O X I V O X I Z

- | | | | |
|----------|----------|-------------|--------------------------|
| ABRAM | HAGAR | SPRING | ANGEL OF THE LORD |
| ISHMAEL | SUBMIT | DESCENDANTS | MAIDSERVANT |
| WELL | DESPISED | SARAI | WILD |
| EGYPTIAN | SON | FLED | YOU ARE THE GOD WHO SEES |

WRITE DOWN THE LETTERS AS YOU COME TO THEM ON THE LINES BELOW



16. HAGAR AND ISHMAEL (GENESIS 16)



- 5 DOWN "Then she called the name of the LORD who spoke to her, You-Are-the-God-Who-Sees; for she said, 'Have I also here seen Him who _____me?' " **GENESIS 16:13**
- 3 DOWN "Now Sarai, Abram's wife, had borne him no children. And she had an Egyptian maidservant whose name was _____." **GENESIS 16:1**
- 1 DOWN "Sarai said to Abram, 'I have become _____ in her eyes.'" **GENESIS 16:5**
- 4 ACROSS "So Abram said to Sarai, 'Indeed your maid is in your hand; do to her as you please.' And when Sarai dealt harshly with her, she _____ from her presence." **GENESIS 16:6**
- 5 ACROSS "Now the Angel of the LORD found her by a _____ of water in the wilderness, by the spring on the way to Shur." **GENESIS 16:7**
- 6 DOWN "The Angel of the LORD said to her, 'Return to your mistress, and _____ yourself under her hand.'" **GENESIS 16:9**
- 7 ACROSS "Then the Angel of the LORD said to her, 'I will multiply your descendants exceedingly, so that they shall not be counted for _____.'" **GENESIS 16:10**
- 2 DOWN "And the Angel of the _____ said to her, 'Behold, you are with child, and you shall bear a son. You shall call his name Ishmael, because the LORD has heard your affliction.'" **GENESIS 16:11**