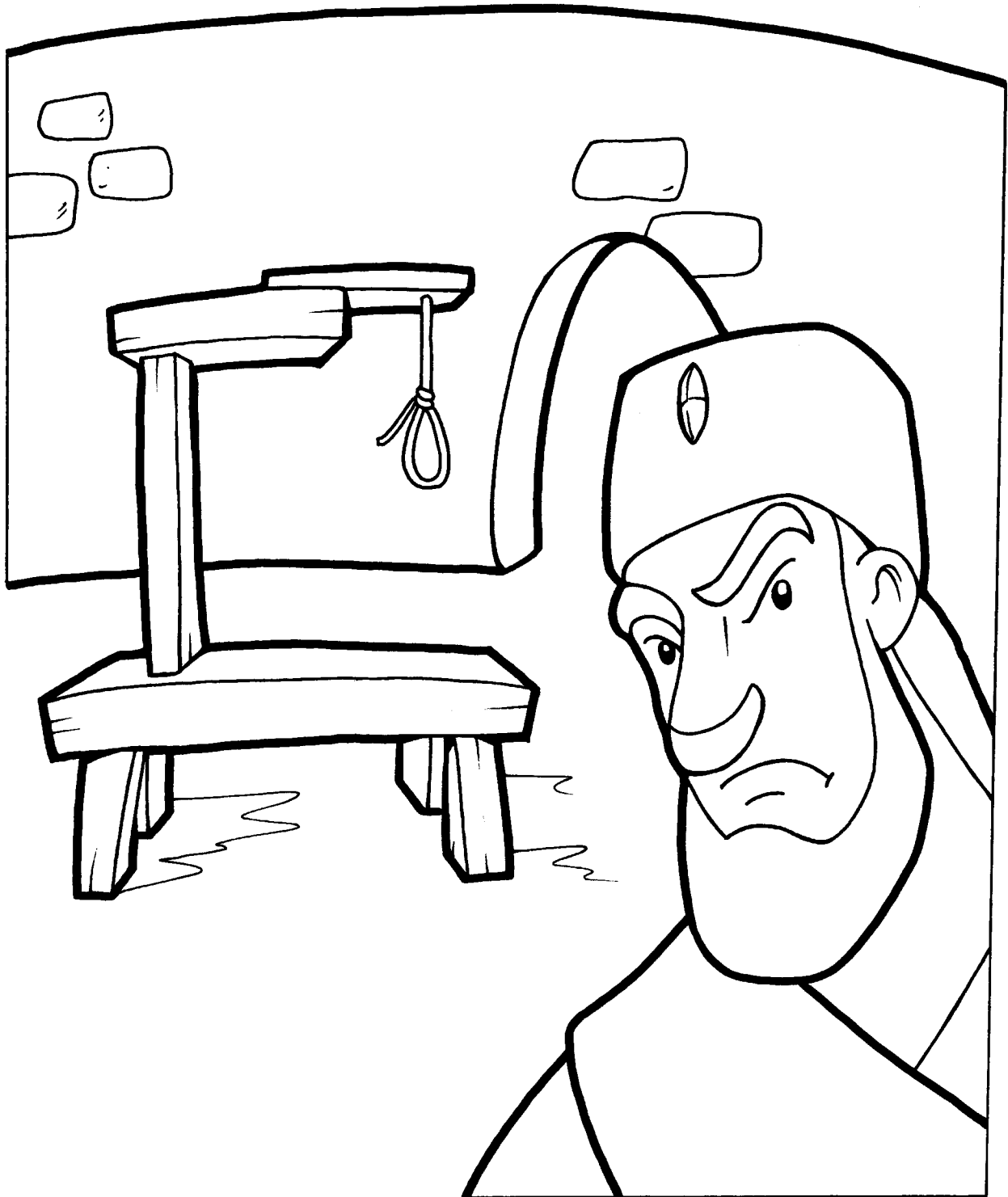


Bible Story 130

**HAMAN'S ANGER
AT MORDECAI**

ESTHER 5:1-14

130. HAMAN'S ANGER AT MORDECAI (ESTHER 5:1-14)



"Then said Zeresh his wife and all his friends unto him, Let a gallows be made of fifty cubits high, and to morrow speak thou unto the king that Mordecai may be hanged thereon: then go thou in merrily with the king unto the banquet. And the thing pleased Haman; and he caused the gallows to be made."

ESTHER 5:14

130. HAMAN'S ANGER AT MORDECAI (ESTHER 5:1-14)

MEMORY VERSE:

"He who troubles his own house will inherit the wind, and the fool will be the servant to the wise of heart." PROVERBS 11:29

FILL IN THE BLANKS:

1. "Now it happened on the third day that Esther put on her _____ robes and stood in the inner court of the king's palace, across from the king's house, while the king sat on his _____ throne in the _____ house, facing the entrance of the house." **ESTHER 5:1**

TRUE OR FALSE:

2. "So it was, when the king saw Queen Esther standing in the court, that she found favor in his sight, and the king held out to Esther the golden scepter that was in his hand." **ESTHER 5:2**
TRUE OR FALSE
3. Esther said, "If I have found favor in the sight of the king, and if it pleases the king to grant my petition and fulfill my request, then let the king and Haman come to the banquet which I will prepare for them, and tomorrow I will do as the king has said." **ESTHER 5:8**
TRUE OR FALSE
4. "So Haman went out that day joyful and with a glad heart; but when Haman saw Mordecai in the king's gate, and that he did not stand or tremble before him, he was filled with indignation against Mordecai." **ESTHER 5:9**
TRUE OR FALSE

UNDERLINE ALL OF THE CORRECT ANSWERS:

5. "Nevertheless Haman..." **ESTHER 5:10-11**
- | | |
|--|--------------------|
| * restrained himself and went home | ESTHER 5:10 |
| * sent and called for his friends | ESTHER 5:10 |
| * and his wife Mudpie | ESTHER 5:10 |
| * told of his great riches | ESTHER 5:11 |
| * the multitude of his chickens | ESTHER 5:11 |
| * all the ways which the king had promoted him | ESTHER 5:11 |
| * how he had advanced him above the officials and servants of the king | ESTHER 5:11 |

TRUE OR FALSE:

6. "Moreover Haman said, 'Besides, Queen Esther invited no one but me to come in with the king to the banquet that she prepared; and tomorrow I am again invited by her, along with the king.'" **ESTHER 5:12**
TRUE OR FALSE

CIRCLE THE CORRECT WORDS:

7. "Yet all this avails me (**NOTHING, EVERYTHING**), so long as I see Mordecai the Jew sitting at the king's gate." **ESTHER 5:13**
8. "Then his wife (**MUDPIE, ZERESH**) and all his (**ENEMIES, FRIENDS**) said to him, 'Let a gallows be made, fifty cubits high, and in the morning suggest to the king that Mordecai be hanged on it; then go merrily with the king to the banquet.' And the thing (**PLEASED, DISPLEASED**) Haman; so he had the gallows made." **ESTHER 5:14**

130. HAMAN'S ANGER AT MORDECAI (ESTHER 5:1-14)

O X B O I I F R L B M K A I X
 A R O V A F O H J J J M U S I
 P S H T S Y O X G H H A M A N
 A E J E A B E M O R D E C A I
 Z J B L H R P V L T Q L V G Z
 E O Y W J W K S D E N O R H T
 R R E Q U E S T E J T U A J F
 E M K N D G J U N Y R G E P Z
 S G P O U T F R S R A C S Z T
 H O G I O K Y E C D E V W F E
 D V K T L W S H E C H U O B U
 Y S G I O T T U P G L B L L Q
 S P P T H I W Q T S J N L K N
 M T S E U U U T E Q T H A M A
 U W R P I M G P R U W X G Z B

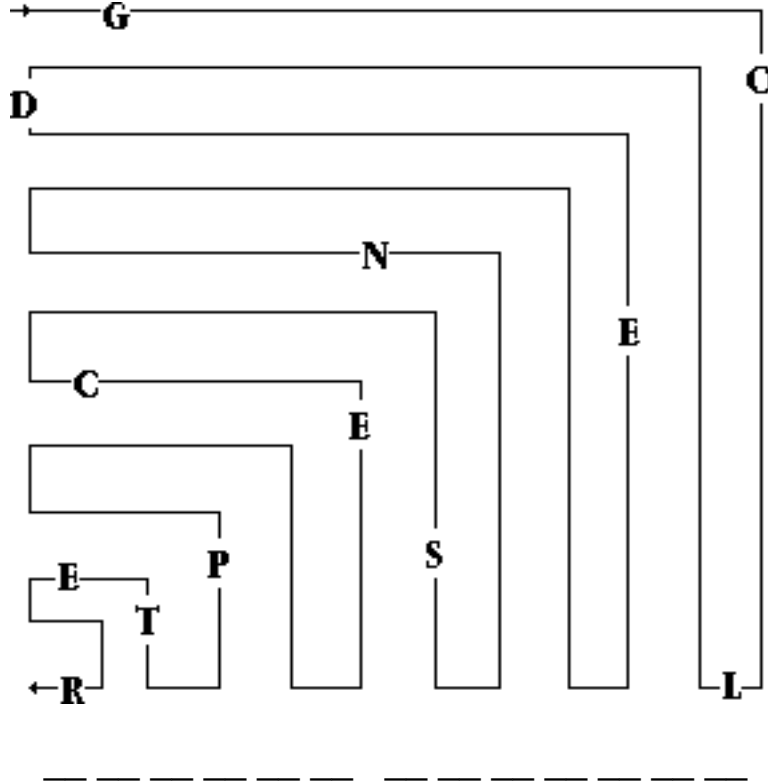
BANQUET
 ESTHER
 FAVOR
 GALLOWS

GOLDEN SCEPTER
 HAMAN
 HEART
 MORDECAI

PETITION
 REQUEST
 ROBES

ROYAL
 THRONE
 ZERESH

FOLLOW THE LINE AND WRITE DOWN THE LETTERS AS YOU COME TO THEM



130. HAMAN'S ANGER AT MORDECAI (ESTHER 5:1-14)

MEMORY VERSE:

"He who troubles his own house will inherit the wind, and the fool will be the servant to the wise of heart." PROVERBS 11:29

FILL IN THE BLANKS:

1. "Now it happened on the third day that Esther put on her _____ robes and stood in the inner court of the king's palace, across from the king's house, while the king sat on his _____ throne in the _____ house, facing the entrance of the house." **ESTHER 5:1**
2. "So it was, when the king saw Queen Esther standing in the court, that she found _____ in his sight, and the king held out to Esther the _____ that was in his hand." **ESTHER 5:2**
3. Esther said, "If I have found favor in the sight of the king, and if it pleases the king to grant my petition and fulfill my request, then let the king and Haman come to the _____ which I will prepare for them, and tomorrow I will do as the king has said." **ESTHER 5:8**

TRUE OR FALSE:

4. "So Haman went out that day joyful and with a glad heart; but when Haman saw Mordecai in the king's gate, and that he did not stand or tremble before him, he was filled with indignation against Mordecai."
ESTHER 5:9

TRUE OR FALSE

UNDERLINE ALL OF THE CORRECT ANSWERS:

5. "Nevertheless Haman..." **ESTHER 5:10-11**
 - * restrained himself and went home **ESTHER 5:10**
 - * sent and called for his friends **ESTHER 5:10**
 - * and his wife Mudpie **ESTHER 5:10**
 - * told of his great riches **ESTHER 5:11**
 - * the multitude of his chickens **ESTHER 5:11**
 - * all the ways which the king had promoted him **ESTHER 5:11**
 - * how he had advanced him above the officials and servants of the king **ESTHER 5:11**

TRUE OR FALSE:

6. "Moreover Haman said, 'Besides, Queen Esther invited no one but me to come in with the king to the banquet that she prepared; and tomorrow I am again invited by her, along with the king.'" **ESTHER 5:12**

TRUE OR FALSE

FILL IN THE BLANKS:

7. "Yet all this avails me _____, so long as I see Mordecai the Jew sitting at the king's gate."
ESTHER 5:13
8. "Then his wife _____ and all his _____ said to him, 'Let a gallows be made, fifty cubits high, and in the morning suggest to the king that Mordecai be hanged on it; then go merrily with the king to the banquet.' And the thing pleased Haman; so he had the _____ made." **ESTHER 5:14**

130. HAMAN'S ANGER AT MORDECAI (ESTHER 5:1-14)

```

T Z D K E P Y M J U G U L Z J V E E Q D
B T S E U Q E R H F Z K B Y C M W P K J
I U E K J I Y X G I J F T Y V F E T L I
A A P Q Z Q O S E T P R L E T S B C W P
M H E A R T F V U G N I A O U W K S K T
X N N O I T I T E P U E C J W Q S C I V
T M Z J Z D V O W Y O N W F H U N H J R
Y G C B K J X J D P F D J A A D U A S F
L F C B C Q S J I Y L S U H M S H U B E
Z H Q R T R V A W B L C K A A J P E U J
E A I B I I C E Y D M U O H N H E C E O
R R E T P E C S N E D L O G H S V E A U
E W W K D R O V A F S M I Z P W N N V G
S N R R O L M A P R Z D T Y J O A Q D F
H P O E T S A W Z C F L E N R L R L Q P
I M B F A T Z L W G P S J H H L L K E D
Q U E E N E S T H E R V T J Q A W D N B
O E S J N F S Z B R G R K T O G J D R K
V S L A Y O R N M G R C N P A Q U O Y K
Q G Z T R A H P W N B M P L W O O K Y A
    
```

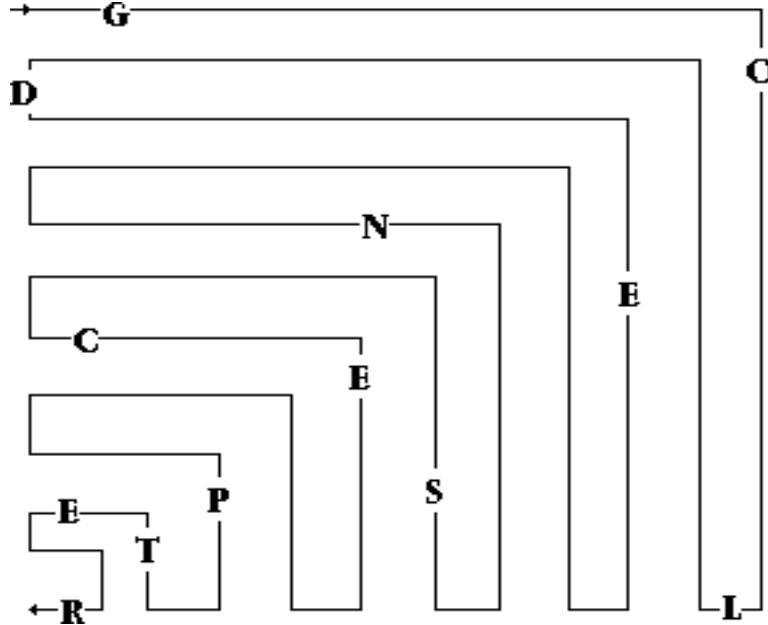
BANQUET
FAVOR
FRIENDS
GALLONS

GOLDEN SCEPTER
HAMAN
HEART
MORDECAI

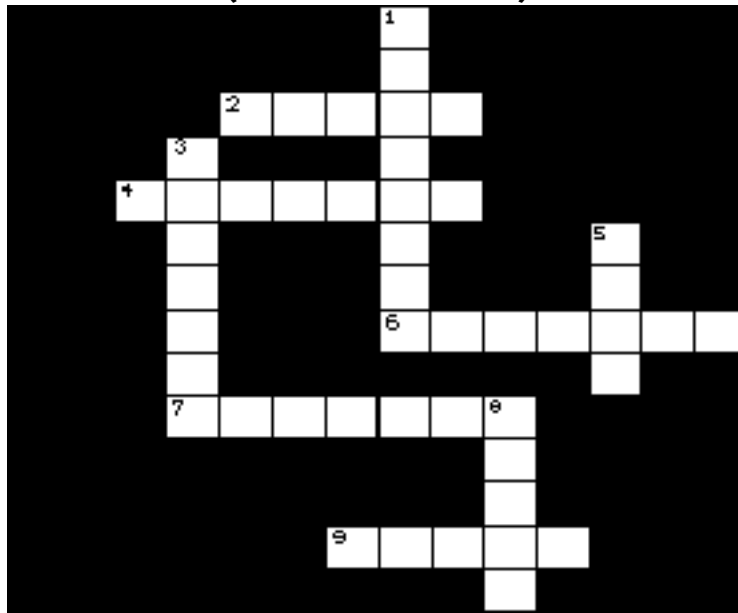
PETITION
QUEEN ESTHER
REQUEST
ROBES

ROYAL
THRONE
ZERESH

FOLLOW THE LINE AND WRITE DOWN THE LETTERS AS YOU COME TO THEM



130. HAMAN'S ANGER AT MORDECAI (ESTHER 5:1-14)



- 2 ACROSS "He who troubles his own house will inherit the wind, and the fool will be the servant to the wise of ____." **PROVERBS 11:29**
- 8 DOWN "Now it happened on the third day that Esther put on her ____ robes and stood in the inner court of the king's palace, across from the king's house, while the king sat on his royal throne in the royal house, facing the entrance of the house." **ESTHER 5:1**
- 7 ACROSS "So it was, when the king saw Queen Esther standing in the court, that she found favor in his sight, and the king held out to Esther the golden ____ that was in his hand." **ESTHER 5:2**
- 4 ACROSS Esther said, "If I have found favor in the sight of the king, and if it pleases the king to grant my petition and fulfill my request, then let the king and Haman come to the ____ which I will prepare for them, and tomorrow I will do as the king has said." **ESTHER 5:8**
- 1 DOWN "So Haman went out that day joyful and with a glad heart; but when Haman saw ____ in the king's gate, and that he did not stand or tremble before him, he was filled with indignation against Mordecai." **ESTHER 5:9**
- 9 ACROSS "Nevertheless ____ restrained himself and went home, sent and called for his friends and his wife Zeresh." **ESTHER 5:10**
- 6 ACROSS "Moreover Haman said, 'Besides, Queen Esther invited no one but me to come in with the king to the banquet that she prepared; and tomorrow I am again ____ by her, along with the king.'" **ESTHER 5:12**
- 5 DOWN "Yet all this avails me nothing, so long as I see Mordecai the Jew sitting at the king's ____." **ESTHER 5:13**
- 3 DOWN "Then his wife Zeresh and all his friends said to him, 'Let a gallows be made, fifty cubits high, and in the morning suggest to the king that Mordecai be hanged on it; then go merrily with the king to the banquet.' And the thing pleased Haman; so he had the ____ made." **ESTHER 5:14**